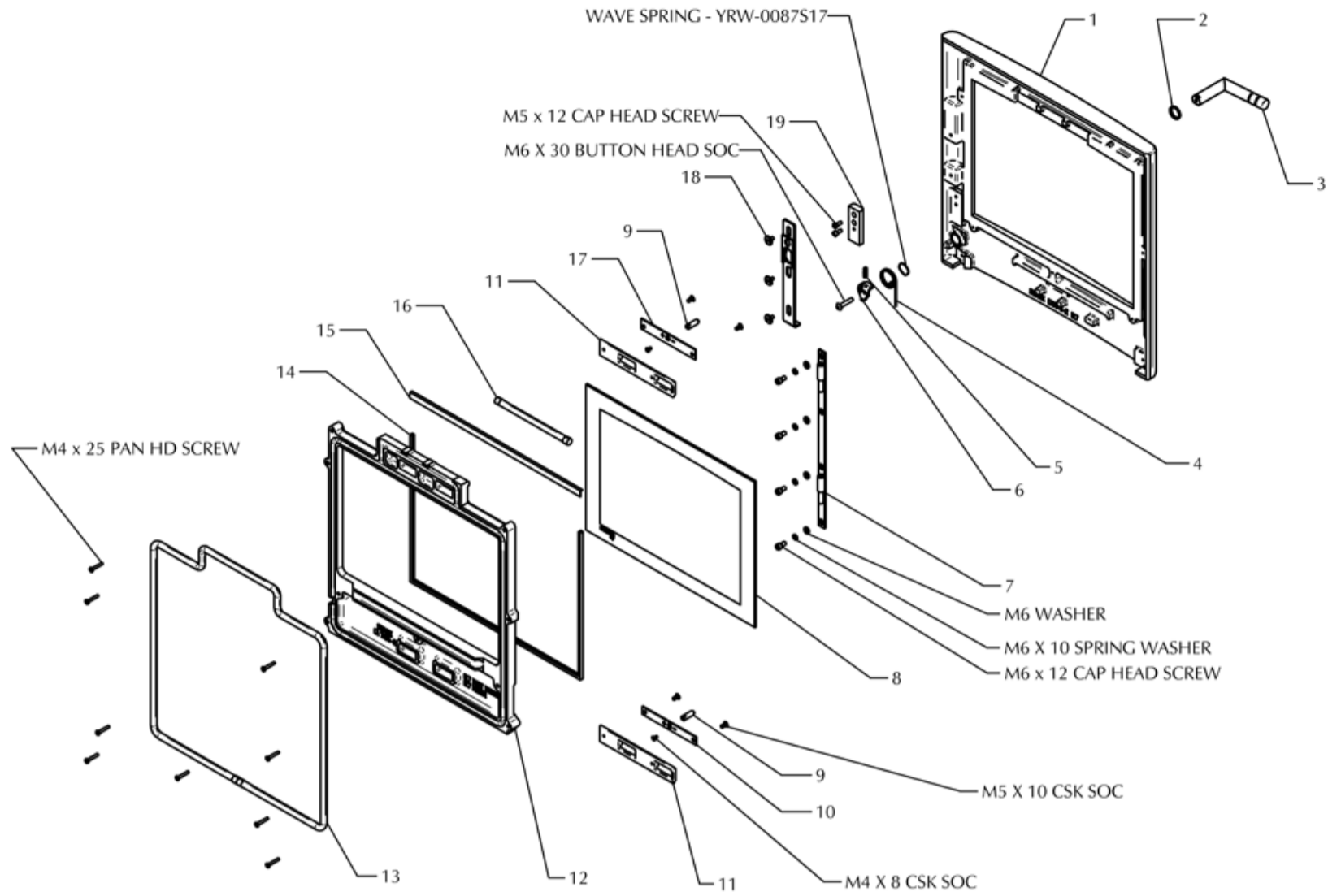


Ref. No.	Product Code	Drawing No. (if different)	Description
1	CA7660		CANOPY
2	ME600486		MESH
3	STMB-MEC8609	MEC8609	AIR WASH DUCT ASSEMBLY
4	RA502311		CLAMP
5	M08200STUD		M08 x 200 STUD
6	RA502305		BAFFLE
7	ME600493		CATCH CLAMP
8	ME600521		LATCH SCREW
9	RA502310		SECONDARY AIR CONTROL
10	ME600395		SPACER
11	MEC8617		ASH PAN ASSEMBLY
12	CA7662		MAIN GRATE
13	-	-	LOG BAR
14	MEC8676		DOOR ASSEMBLY
15	MEC8788		RIDDLING/DOOR TOOL
16	ME600502		RIDDLING KNOB
17	MEC8798		RIDDLING ROD
18	CA7661		CENTRE GRATE
19	MEC8793		ASH PAN TOOL ASSEMBLY
20	CA7654		SIDE PANEL LH
21	MEC8789		AIR CHAMBER ASSEMBLY
22	CA7605		SIDE PANEL RH



Ref. No.	Product Code	Drawing No. (if different)	Description
1	CA7638		OUTER DOOR
2	-	MEC600455	DOOR HANDLE STOP RING
3	MEC8619		DOOR HANDLE ASSEMBLY
4	FA500025		TORSION SPRING
5	FA9508	FA500016	SPRING 6.1 O/D X 0.61 DIA WIRE X 22.2 LG
6	CA7635		DOOR HANDLE CAM
7	MEC8636		HINGE PLATE ASSEMBLY
8	CE7732		DOOR GLASS
9	ME600392		AIR CONTROL HANDLE
10	ME600456		PRIMARY AIR SLIDER PLATE
11	CA7634		AIR SLIDER
12	CA7656		GLASS CLAMP
13	4670H	CE7733	Ø14 x 1625 LG - ROPE SEAL BLACK
14	4954	CE7734	15 x 2 x 1000 LG - S/A TAPE BLACK
15	4954	CE7802	15 x 2 x 400 LG - S/A TAPE BLACK
16	4670H	CE7730	Ø14 x 175 LG - ROPE SEAL BLACK
17	ME600448		AIRWASH SLIDER PLATE
18	FA9510	ME7702	SHOULDER SCREW
19	ME600410		DOOR CATCH BLOCK